



Welcome to your Digi product

Get started: This guide helps you with initial product setup. Need more? Find additional product support at www.digi.com/support/cpts8. Or connect to the online documentation by scanning this code:



Quick Start Guide

ConnectPort® TS 8, TS 8 MEI, TS 16, TS 16 MEI



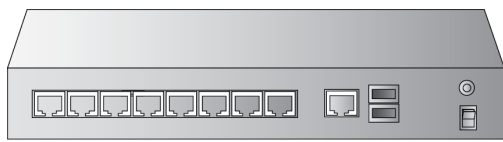
90000848-88 G

Digi Technical Support: Digi offers multiple support plans to help you get the most out of your product. For information on Technical Support plans and pricing, contact us at 877.912.3444 or visit www.digi.com/support.

Documentation Feedback: To provide feedback on this documentation, send your comments to techcomm@digi.com.

1 Verify your components

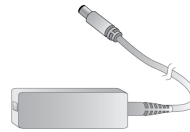
Included equipment



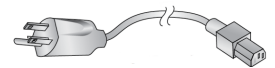
ConnectPort TS 8 or 16



RJ-45 diagnostic loopback



External power supply
(ConnectPort TS 8 models only)

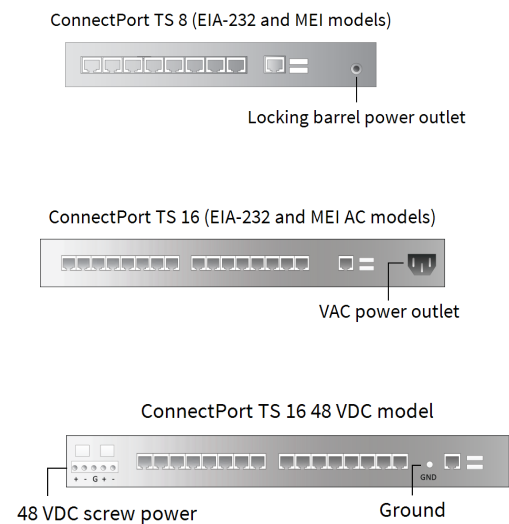
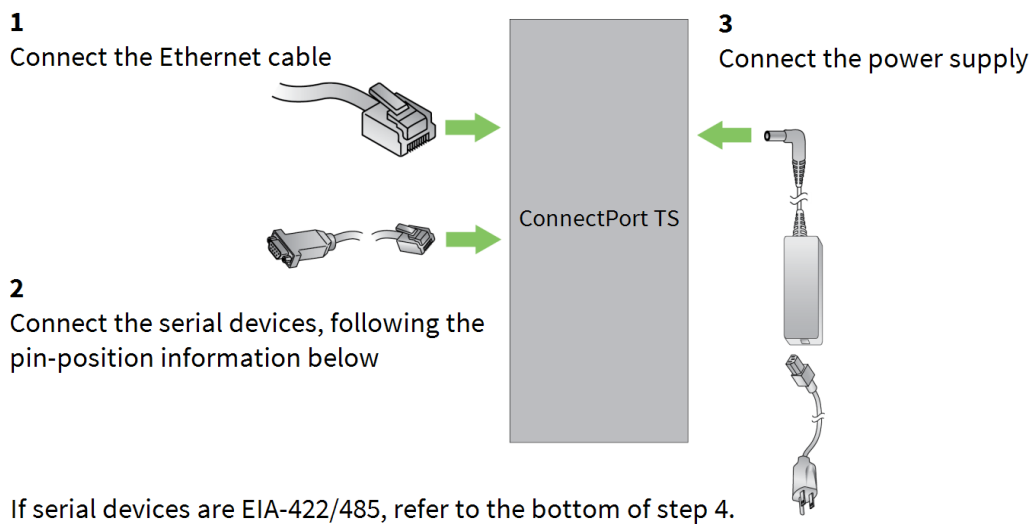


Power cord

Verify that you have all included equipment. If any item is missing or damaged, contact your supplier.

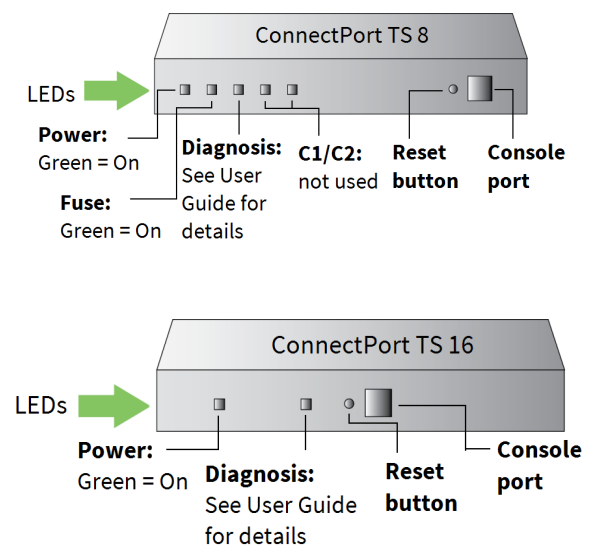
Note A loose label sticker that includes the unique device password is included in the box. Retain this label sticker with your hardware records. This default password will be needed if the device is factory reset and you want to access the web UI on the device or register the device with Digi Remote Manager®. If the device was already registered with Remote Manager at the time of the factory reset, you do not need the unique password to access the device in Remote Manager.

2 Connect the hardware



3 Pin positions for serial devices

10-wire jack (female)	10-wire connector (male)	8-wire connector (male)
<p>ConnectPort TS products use an RJ-45 10-wire jack (female), with Pin 1 in the following location:</p> <p>Pin 1</p>	<p>For a 10-wire connector, Pin 1 of the connector is in the following location:</p>	<p>For an 8-wire connector, connect the pins to the center 8 pins of the 10-wire jack:</p>



Pin # on 10-wire connector	Pin # on 8-wire connector	EIA-232	MEI products only	
			EIA-422/485 full-duplex	EIA-485 half-duplex
1		RI	TxD-	No connection
2	1	DSR *	RxD-	DATA-
3	2	RTS	RTS+	No connection
4	3	CGND	CGND+	CGND
5	4	TxD	TXD+	No connection
6	5	RxD	RxD+	DATA+
7	6	SGND	SGND	SGND
8	7	CTS	CTS+	No connection
9	8	DTR	RTS-	No connection
10		DCD *	CTS-	No connection

*Use the Altpin setting to swap these two signals.

4 Download the required software

Digi provides several utilities that discover devices present on a network. You will need to download either the **Digi Discovery Utility** or **Digi Port Authority - Remote**.

1. Navigate to www.digi.com/support/cpts8.
2. Click the **Diagnostics, Utilities, and MIBs** link.
3. Select your operating system.
4. Download and run either the **Digi Discovery Utility** or **Digi Port Authority - Remote**.

If you want to manage your serial ports with Digi's RealPort software, download the RealPort software:

1. Navigate to www.digi.com/support/cpts8.
2. Click the **Drivers** link.
3. Select your operating system. A list of available downloads and release notes for your operating system appears.
4. Download the RealPort driver and the release notes.

Note For Microsoft Windows operating systems, unzip the download package and run the executable file. For Linux or Unix operating systems, uncompress the release notes first and follow the instructions in the release notes.

5 Configure the serial ports

Access the *Digi Connect Family User Guide* from the Documentation tab at www.digi.com/support/cpts8.

Use Digi Discovery Utility or Digi Port Authority—Remote to discover devices on your network and open the web interface.

1. In the list of discovered devices, select the ConnectPort TS 8/16 device.
2. If you are not using DHCP, configure the IP address.
3. Open the web interface. In the Digi Device Discovery Utility, click **Open web interface**. In Digi Port Authority-Remote, click **Device Configuration**.
4. A login prompt for the web interface appears. Enter the default user name: **root**. Enter the unique default password printed on the device label. If a password is not on the label, the default password is **dbps**. If neither default password works, the password may have been updated. Check with your system administrator.
5. In the web interface, click **Configuration > Serial Ports**.

Configure serial port settings using port profiles. Port profiles are a defined set of serial port parameters for a particular use. The web interface and User Guide contain descriptions of the port profiles. For ConnectPort TS 8/16 products, Digi recommends the **RealPort** port profile. For help in configuring the device for use with other port profiles, see the User Guide. To configure ports to use the RealPort port profile:

1. On the **Serial Port Configuration** page, click the port to be configured.
2. Click **Change Profile**.
3. In the list of profiles, select the **RealPort** port profile and click **Apply**.

For EIA-232 devices that will be connected using 8-wire cables, configure the **Altpin** setting. The default for this setting is off; it must be enabled as needed for each serial port. For each applicable serial port:

1. Click **Advanced Serial Settings**.
2. Select the **Enable alternate pinout (altpin)** setting and click **Apply**.

The serial ports for ConnectPort TS 8/16 MEI products are set to EIA-232 by default. For serial ports that connect to EIA-422 or EIA-485 devices, configure the serial ports. For each applicable serial port:

1. Click the serial port to select it.
2. On the **Serial Port Configuration** page, click the **Multiple Electrical Interface (MEI) Serial Settings** link.
3. Select **EIA-422/EIA-485**.
4. Select the number of differential wires the device uses for communication:
 - **2 wires:** a half-duplex connection with shared transmit and receive wires.
 - **4 wires:** a full-duplex connection with independent transmit and receive pairs. This is the default setting.
5. Select **Enable termination** if you require termination or use of biasing resistors across the lines. Enable this setting if the terminal server port is an endpoint node of the EIA-422/485 network and you want termination or biasing. 2-wire mode uses termination or biasing at one of the end points; usually the Master endpoint.

Note The CTS and RTS control signals are available as separate differential signals in the EIA-422/EIA-485 4-wire mode. Do not use these differential signals in 2-wire mode. The CTS and RTS differential signals are *not* terminated or biased internally. If you require termination or biasing, it must be done externally.

Your ConnectPort TS device is now configured for basic serial port connectivity. For information on other configuration options and additional product information, see the *ConnectPort X Family User Guide* on www.digi.com.

6 Locate the appropriate cable adapters

For information about the EIA-232 cable adapters that work with ConnectPort TS 8/16 products, see *Cable Guide: PortServer® TS, Digi Connect®, and Digi One® Products* at www.digi.com/resources/documentation/Digidocs/PDFs/90000253.pdf. To order cables, go to www.digi.com/support/cpts8 and click **Cabling**.

Note Cable adapters are 8-wire. If you are using these cable adapters with modems, or other applications that require Data Carrier Detect (DCD) control, you must enable the alternate pinout setting, or ALTPIN, as shown in step 4.